

Wooden Gift Box

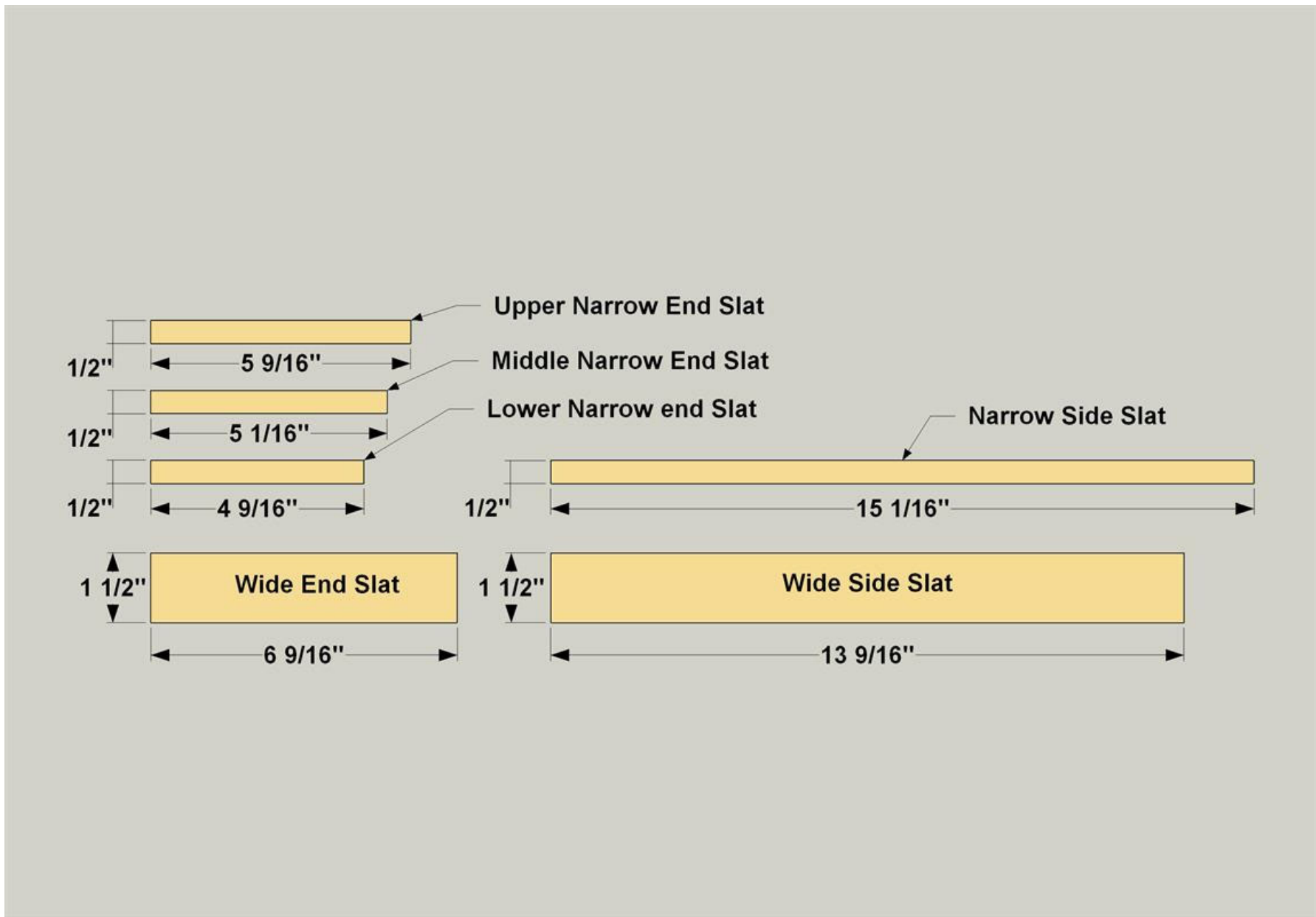
★★★★★ Read Reviews (2)

Directions

Follow the steps below to complete this project.

1. Cut Side and End Parts to Length

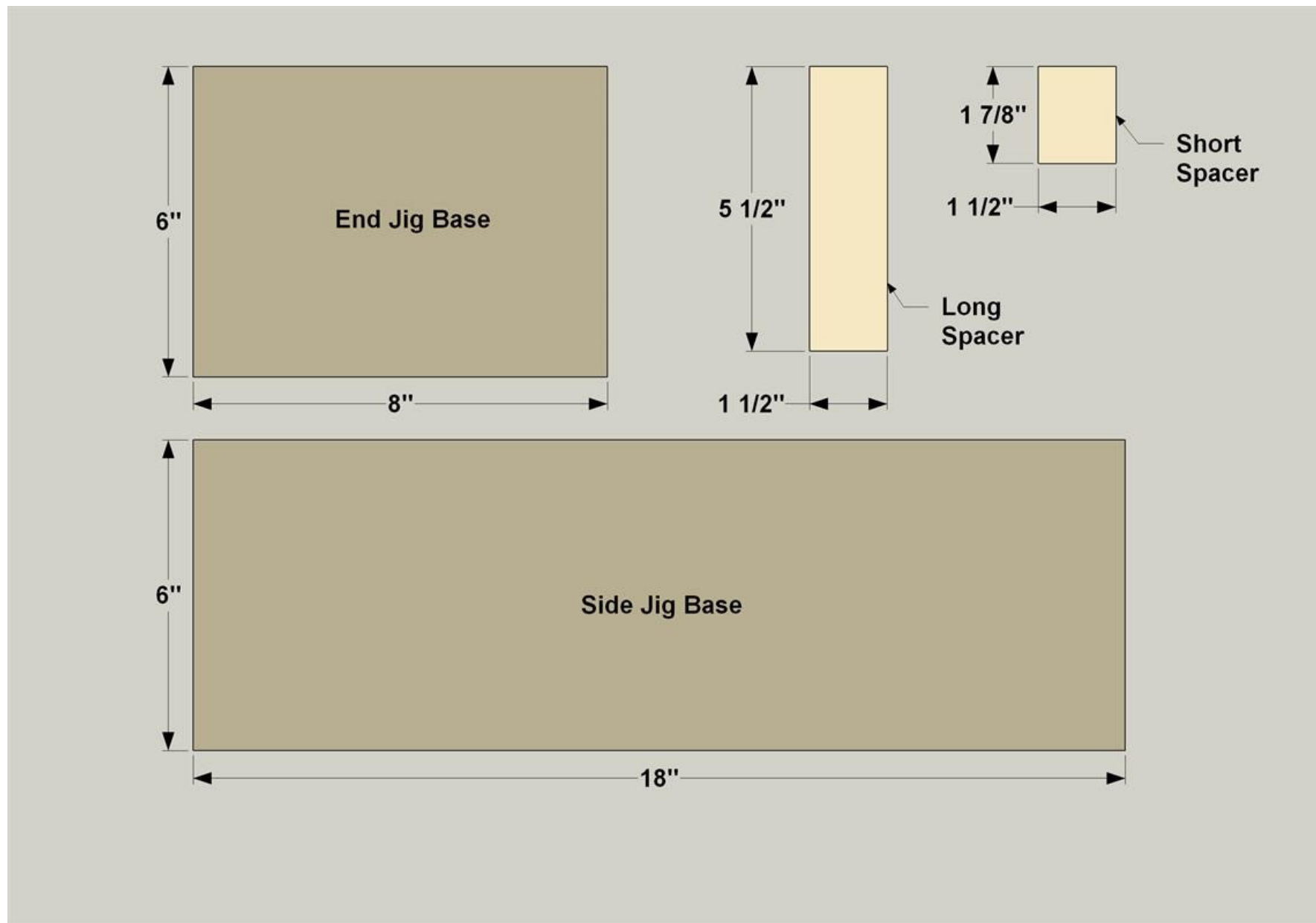
Cut all the Narrow End Slats and Narrow Side Slats to length from 1/2" x 1/2" square dowels. Cut all the Wide End Slats and Wide Side Slats to length from 1/2" x 2 red oak boards. To make sure all like parts are exactly the same length, measure and mark carefully and use a stop block on your miter saw. Sand slight chamfers on all edges using 150-grit sandpaper wrapped around a scrap-wood block.



2. Cut the Assembly Jig Parts

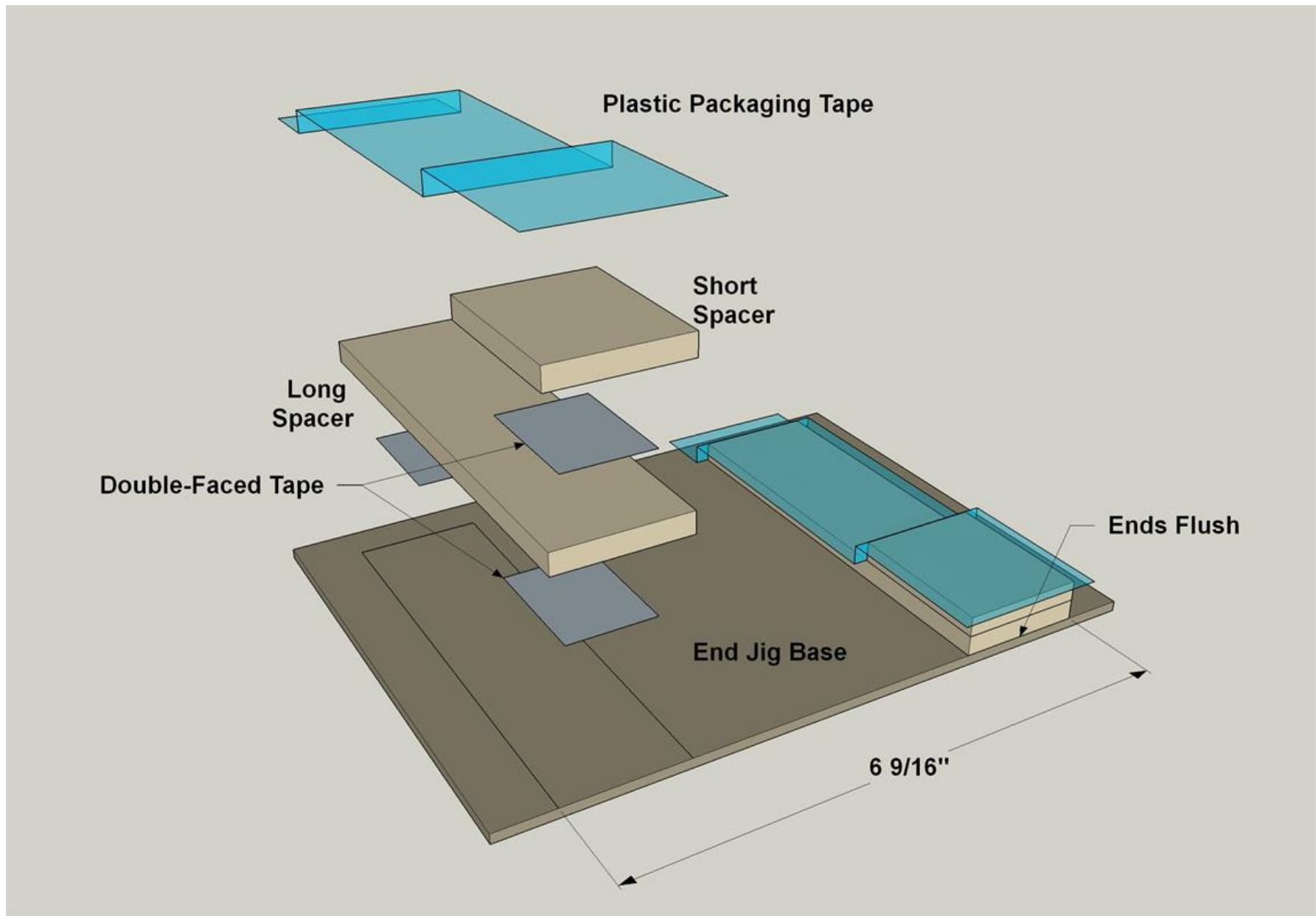
To assemble this project, you'll want to build a couple of jigs. These assembly jigs ensure accurate alignment of the Slats in the end and side assemblies. Plus, if you look at the box you'll see that the Narrow Slats at the top are offset 1/4" outward. This provides a place to hold the lid. At the bottom, the Narrow Slats are set 1/4" inward to support the Bottom Panel. The jigs help you align all of the ends, and they jigs set these two offsets. To make the jigs, start by cutting the End Jig Base and Side Jig Base to size from 1/8" hardboard, as shown

in the cutting diagram. Then cut the Long Spacers and Short Spacers to length from a 1/4" x 2 poplar board.



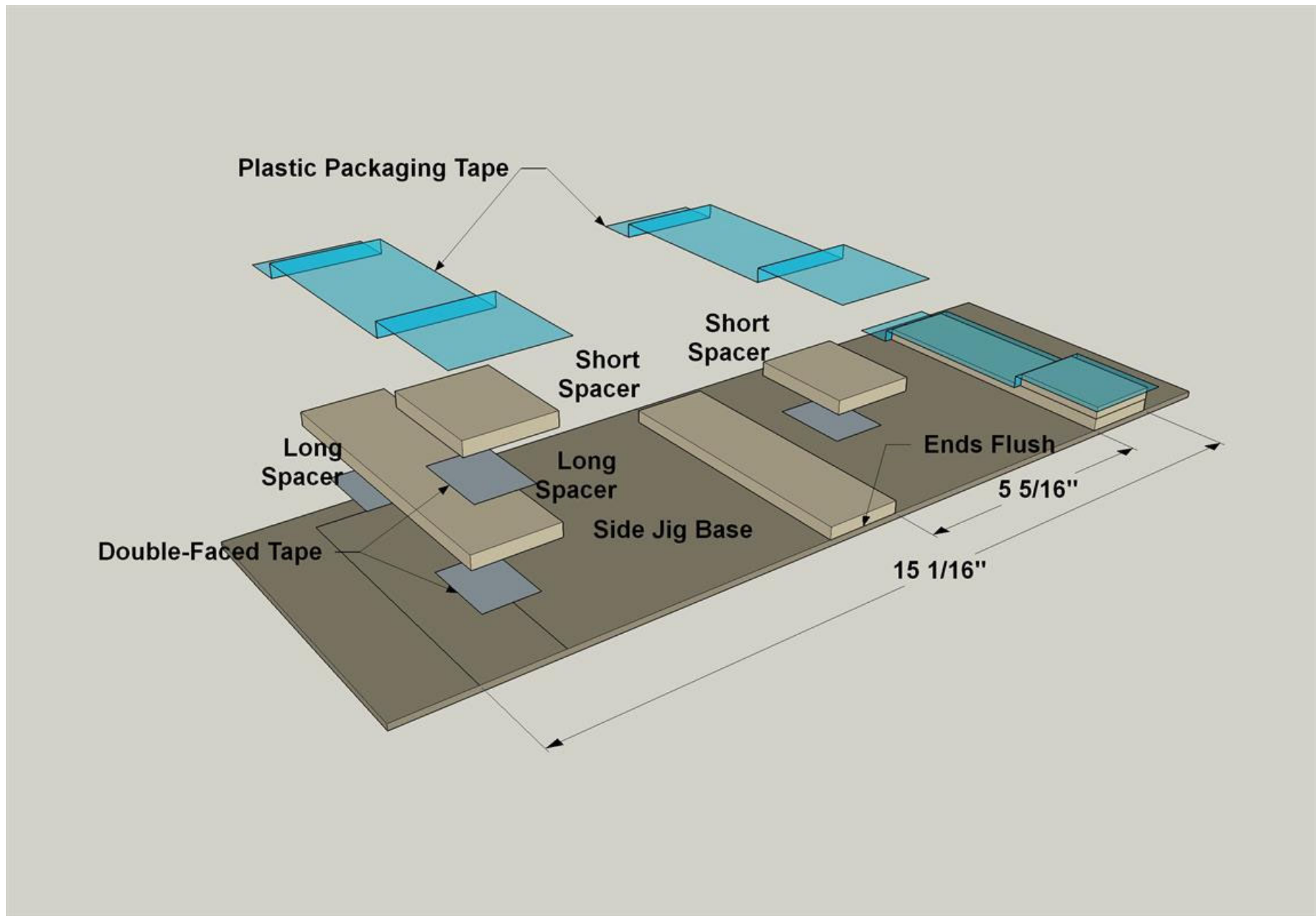
3. Make the End Assembly Jig

Using double-faced tape (commonly called carpet tape), adhere two Long Spacers to the End Jig Base. Make sure the Spacers are aligned properly and sitting square to the Base. Then attach the Short Spacers to the Long Spacers where shown. Then cover the spacers with plastic packaging tape. This will prevent glue from sticking to the spacers as you glue up the parts of your gift box.



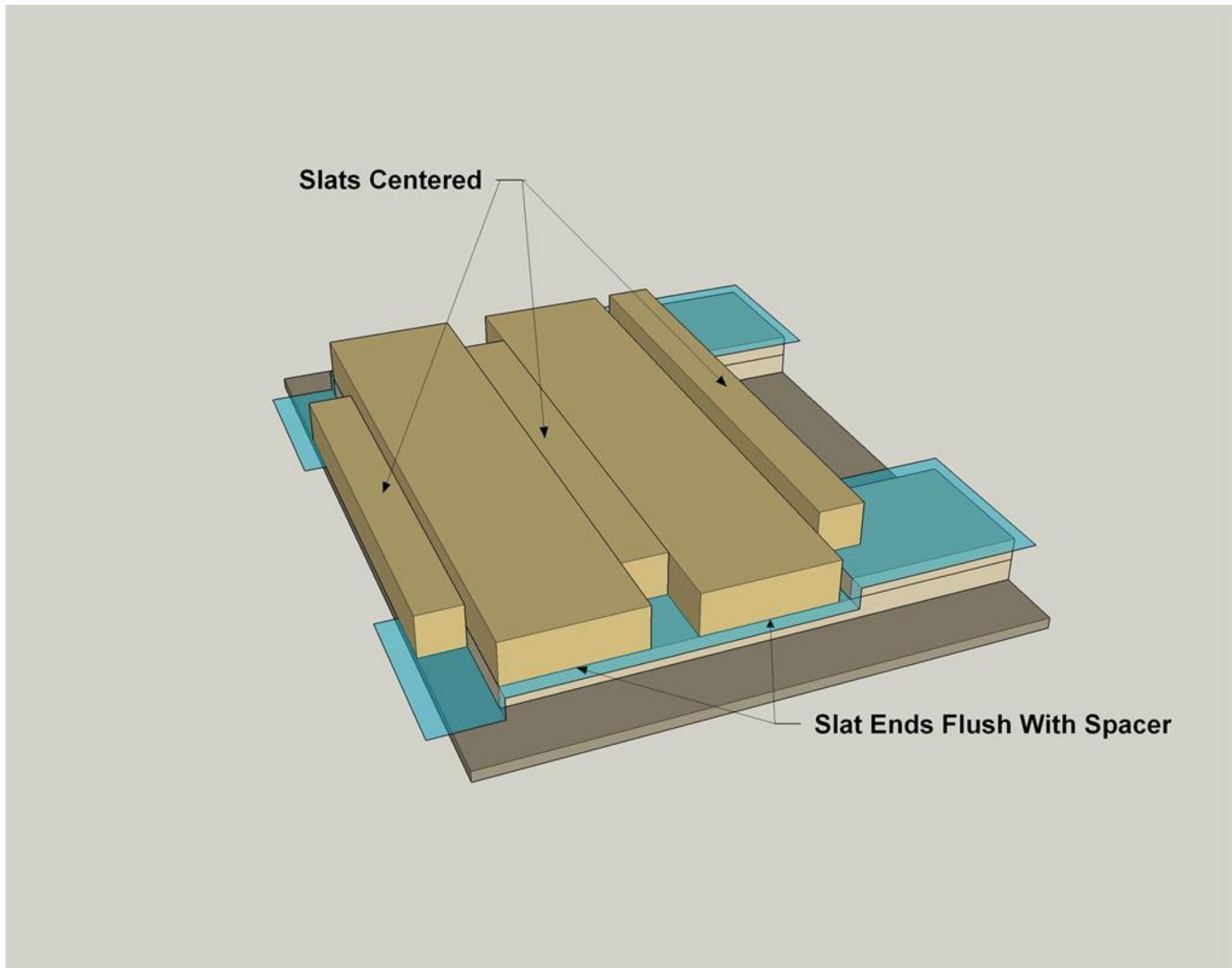
4. Make the Side Assembly Jig

Now assemble the side assembly jig in the same way. Adhere three Long Spacers to the Side Jig Base and three Short Spacers to the Long Spacers. Cover the spacers with plastic packaging tape.



5. Assemble the Ends

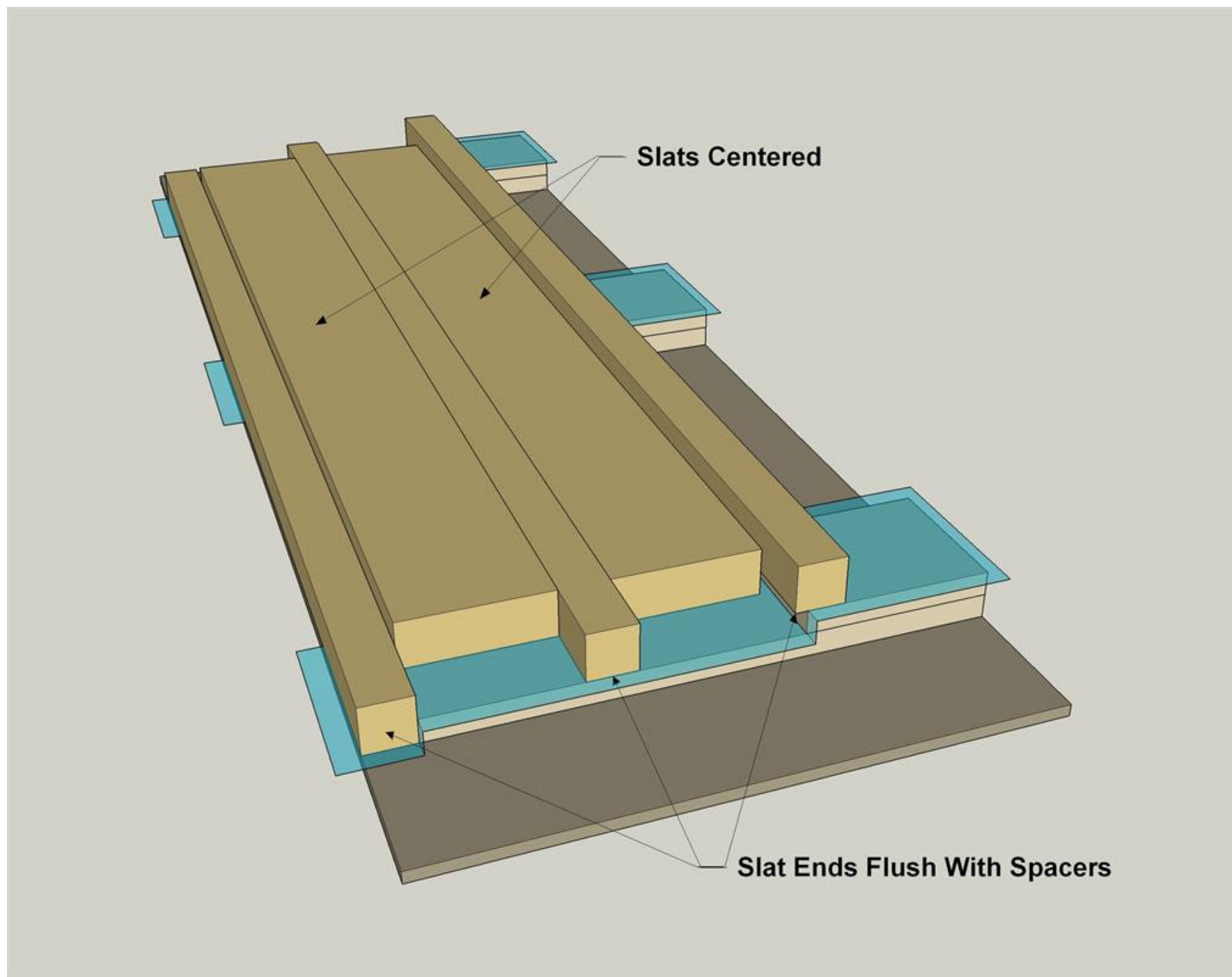
Dry-fit one set of End Slats on the End Assembly Jig, aligning the ends of the Wide Slats with the edges of the Spacers. Then carefully center the Narrow Slats. Trace the locations of the ends of the Narrow Slats onto the jig with a fine-point felt-tip marker. Remove the slats from the jig. Apply a fine line of glue (don't over-do it) to the mating Slat edges, position the parts on the jig, and lightly clamp. Remove any excess glue with a damp cloth. When the glue dries, repeat with the second end assembly.



6. Assemble the Sides

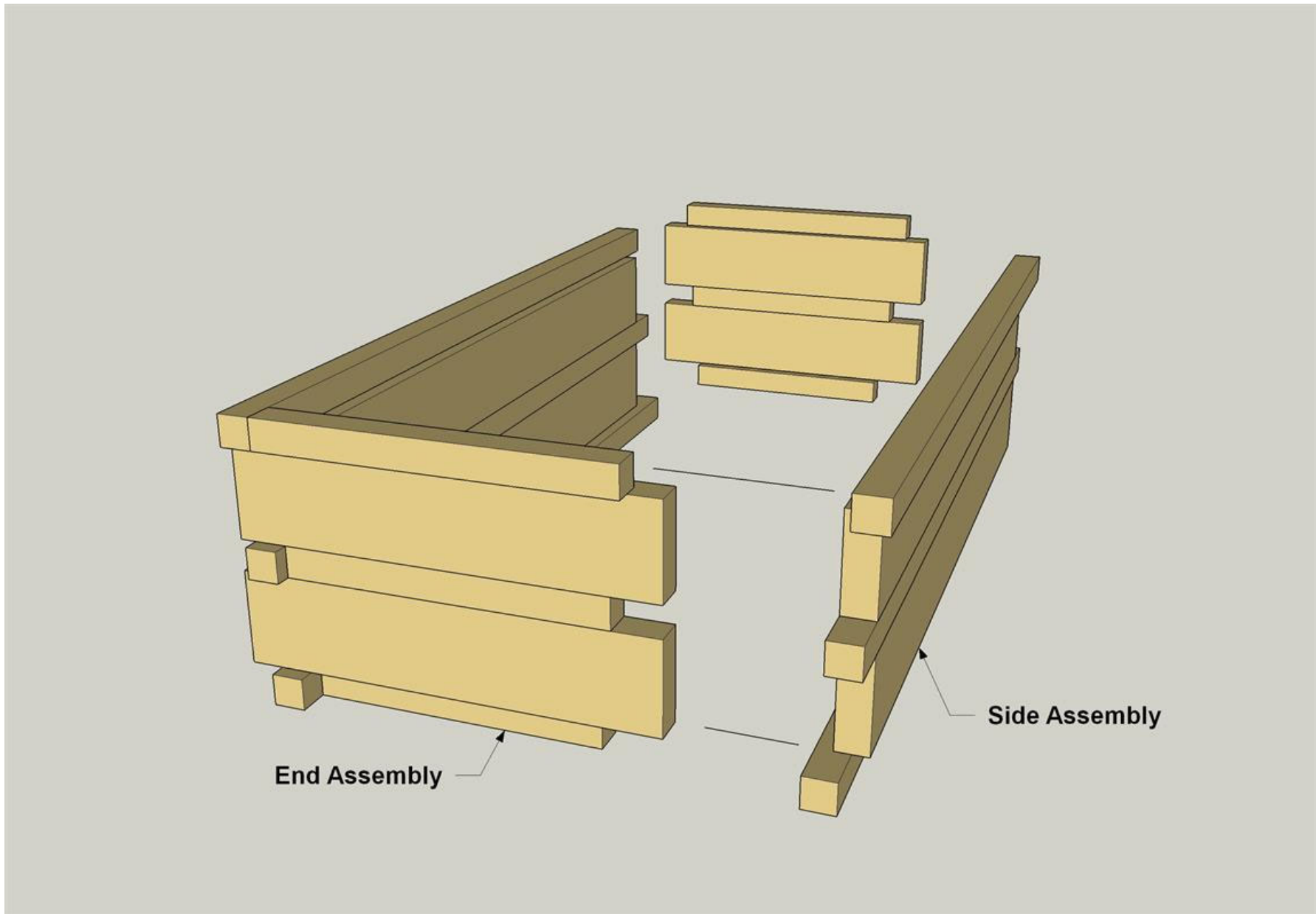
Dry-fit one set of Side Slats on the Side Assembly Jig, aligning the ends of the Narrow Slats with the edges of the Spacers. Then carefully

center the Wide Slats. Trace the locations of the ends of the Wide Slats onto the jig with a fine-point felt-tip marker. Remove the slats from the jig. Apply a fine line of glue to the mating Slat edges, position the parts on the jig, and lightly clamp. When the glue dries, repeat with the second side assembly.



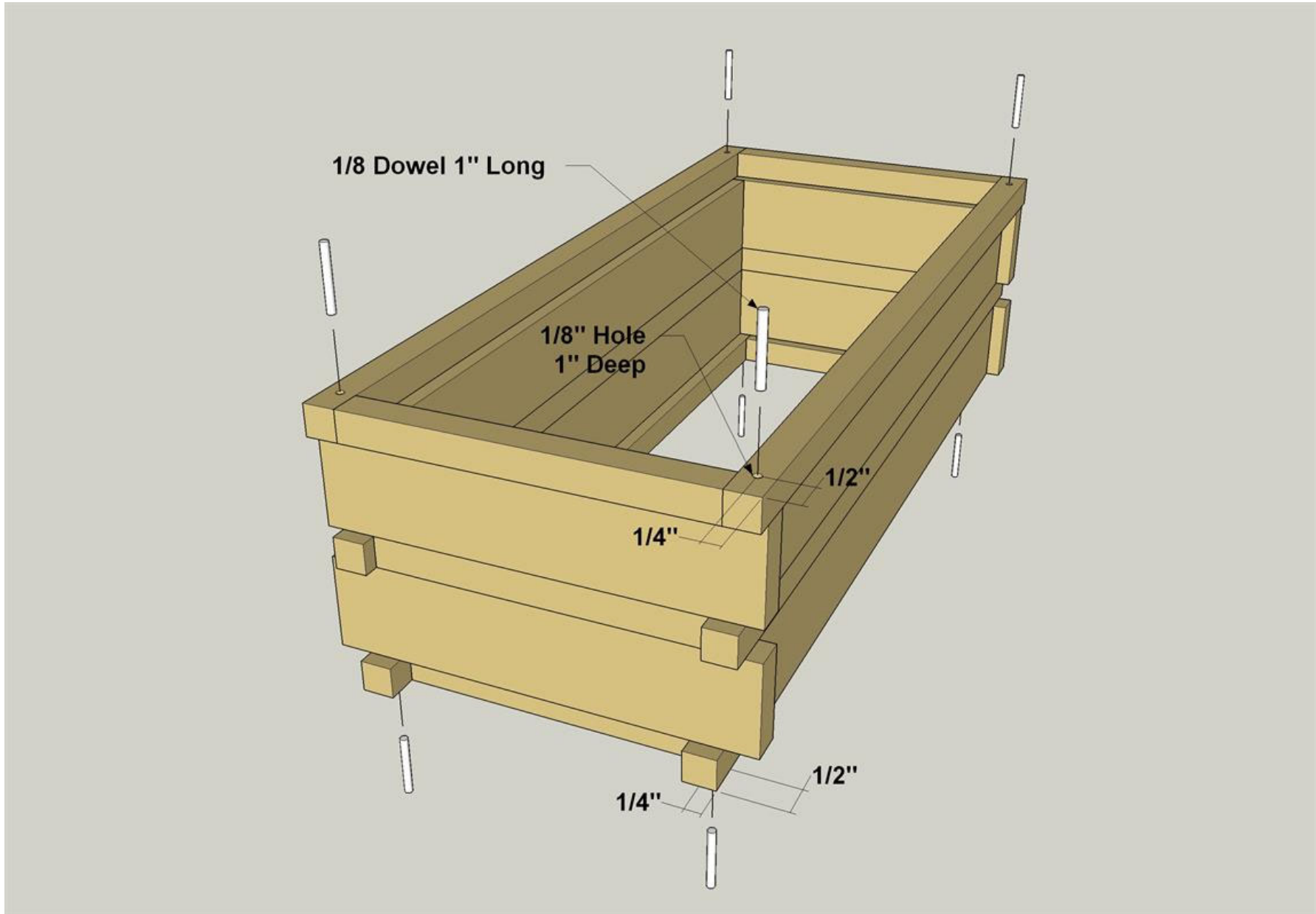
7. Assemble the Box

Lightly sand the inside and outside faces of the box end assemblies and box side assemblies with 150-grit sandpaper. Press the ends and sides together, interlocking the “fingers” and “notches” of the mating parts. Clamp the assembly and check it for square. (Measure diagonally from corner to corner. Squeeze the box diagonally as necessary. When the diagonal measurements are equal, the box is square.)



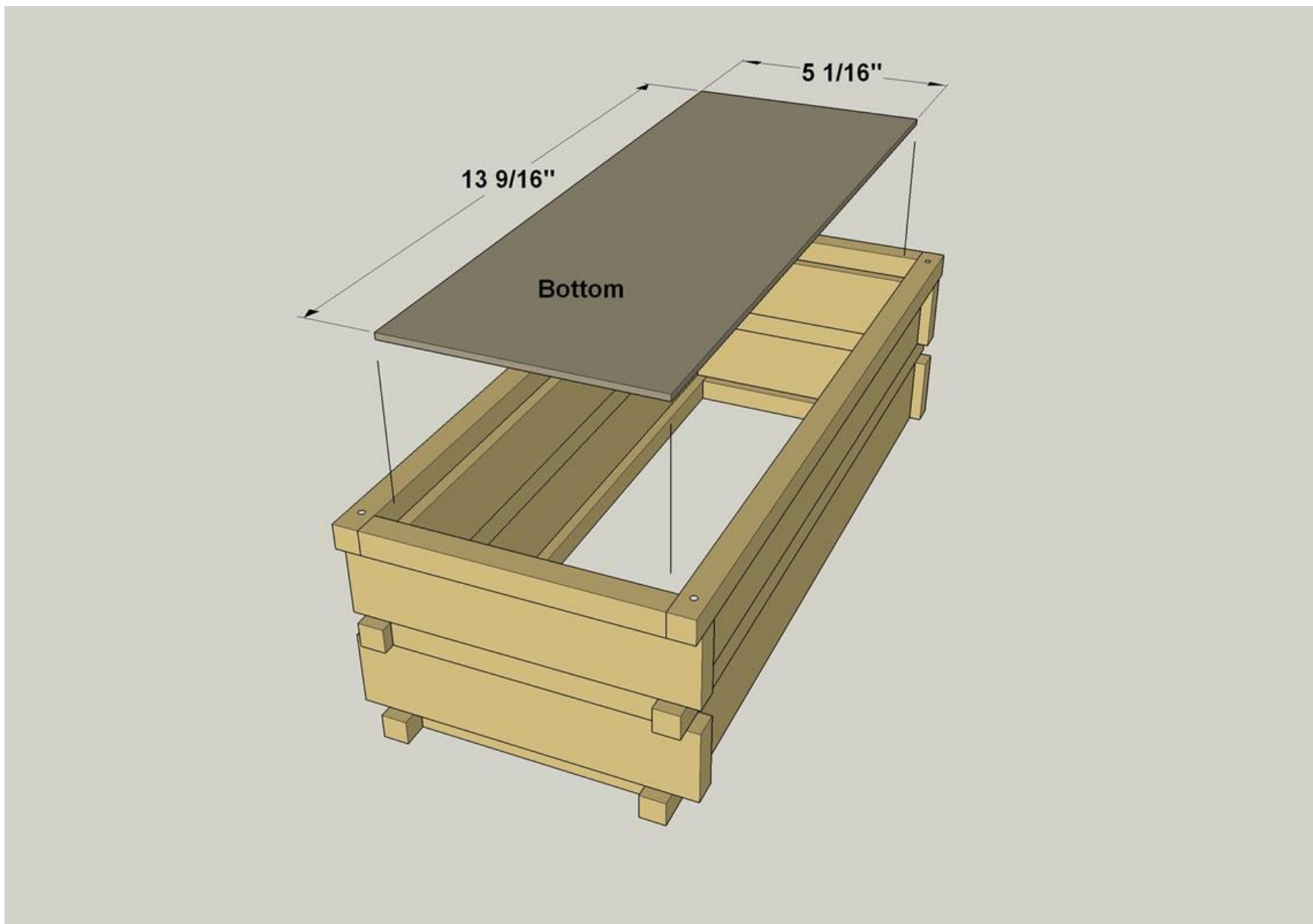
8. Pin the Corners

Cut the Corner Pins to length from 1/8" round dowel using a utility knife. Mark center-point locations for the Pins on the top of the box and drill 1"-deep holes. Squeeze a little glue into the holes and tap in the Pins. Turn the box upside down and repeat at the bottom corners.



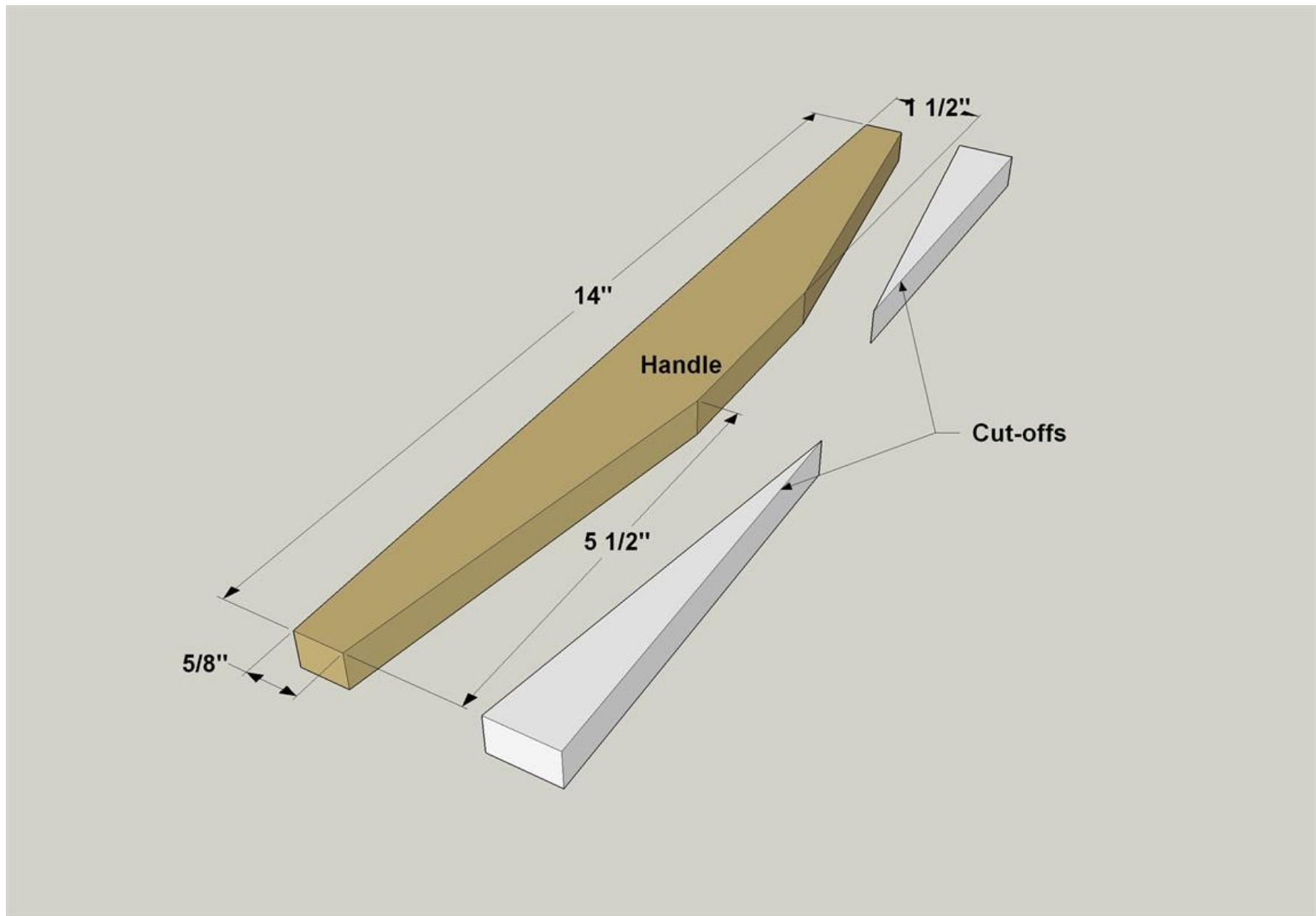
9. Insert the Bottom

Cut the Bottom to size from 1/8" hardboard. Apply glue to the ledge created by the lower end and side Slats and insert the Bottom. Apply weight, such as a quart can of paint, to the bottom until the glue dries.



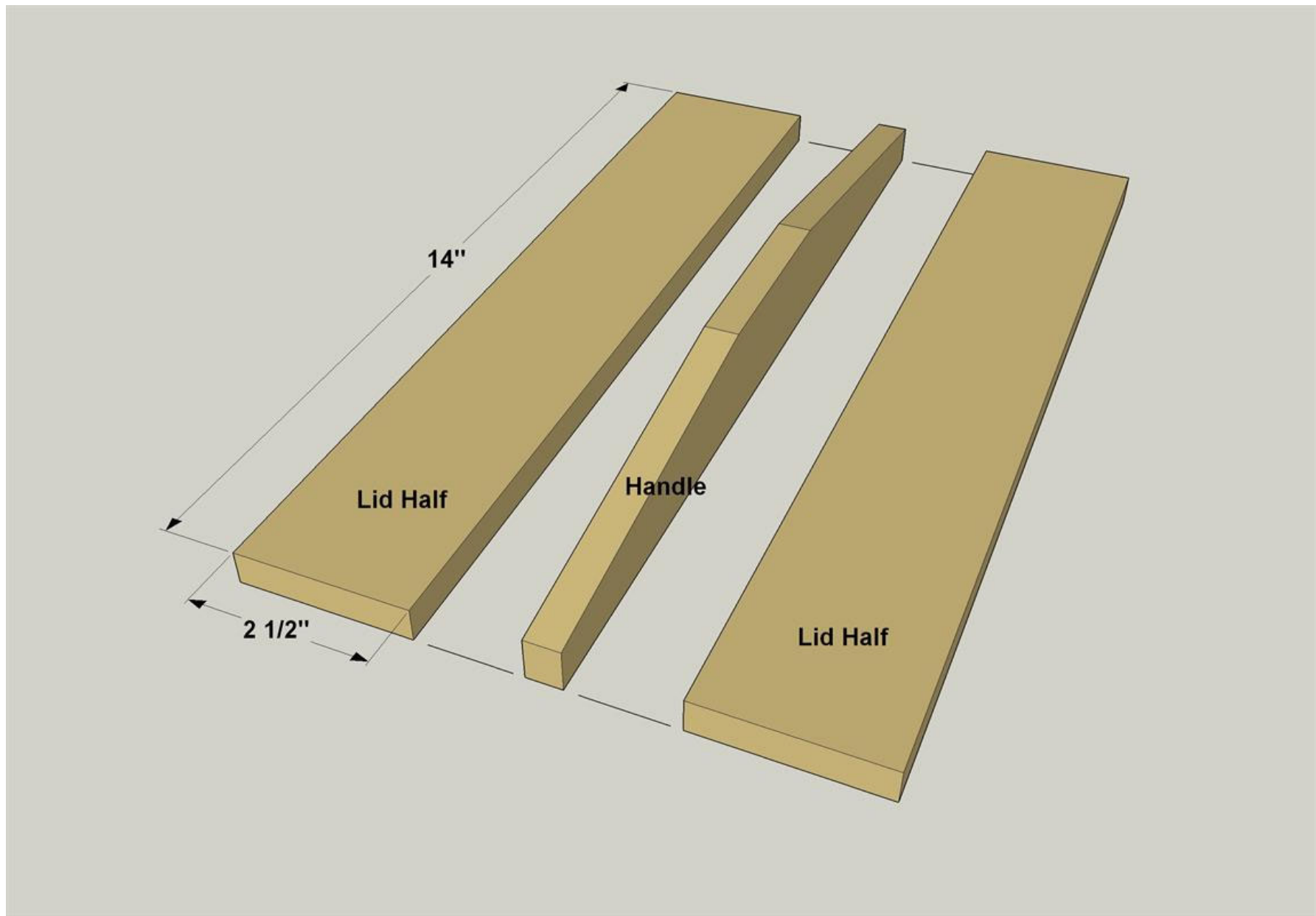
10. Form the Handle

Cut the Handle to length from a 1/2" x 2 red oak board. Draw the tapers on the handle and cut along the lines with a jigsaw. Sand the cut edges smooth. Sand slight chamfers on the top edges.



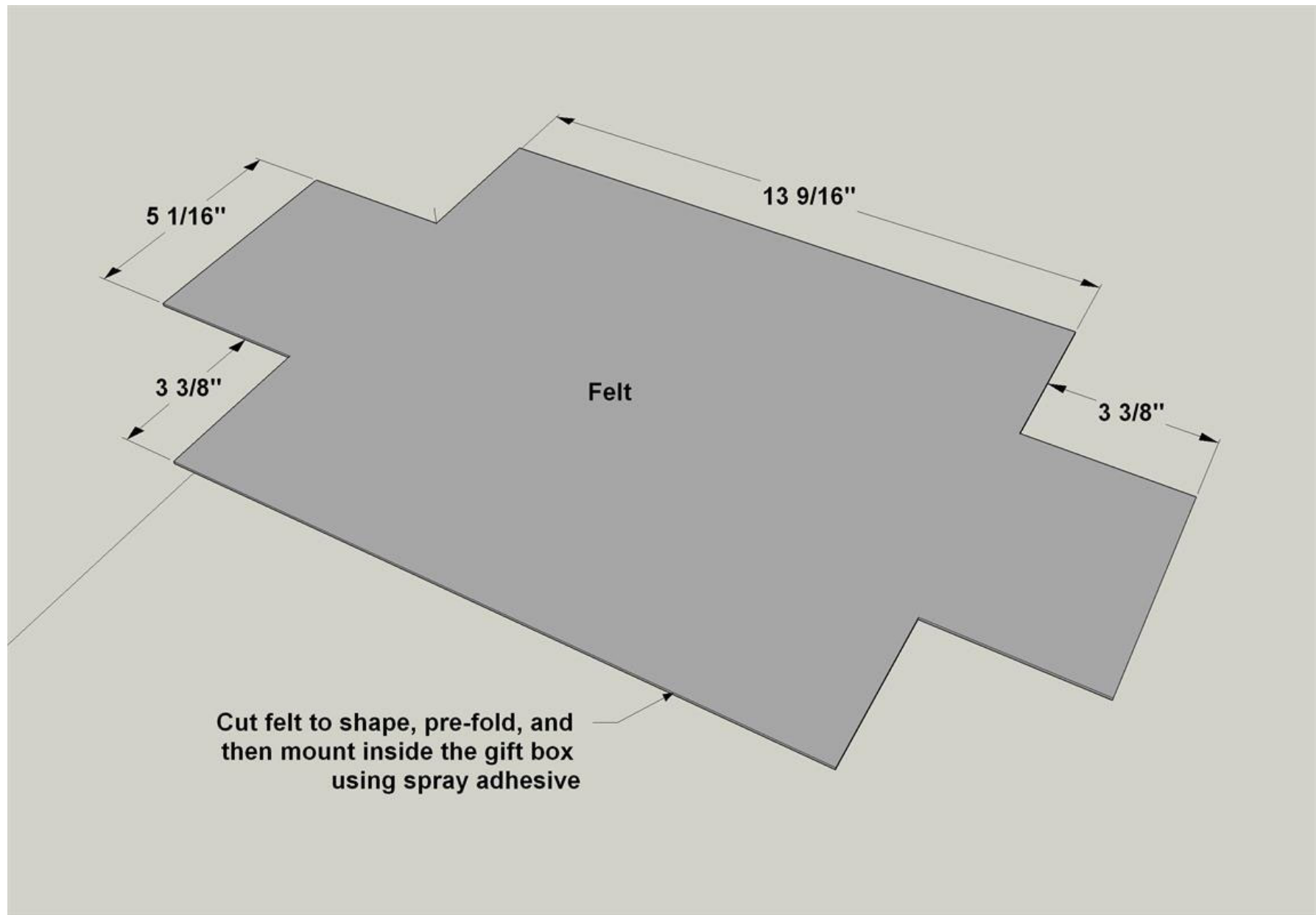
11. Make the Lid

Cut the Lid Halves to length from a 1/2" x 3" red oak board. Sand slight chamfers on the ends and one edge of each Lid Half. Glue and clamp the Handle between the Lid Halves, with the chamfers on the Lid Halves on the perimeter and the bottom surfaces flush. With the glue dry, place the Lid on the ledge created by the offset upper end and side Narrow Slats. Sand the edges as necessary for a good fit. Lightly sand the top and bottom surfaces of the lid with 150-grit sandpaper.



12. Apply the Finish and Felt

Once your box is assembled, you can stain it to suit your taste. To set it off even more, we finished the inside of our box with felt that we picked up at a fabric store. Cut the felt to shape and test fit it, then install it with a light coat of spray-mount adhesive. Just spray the back side of the felt, and carefully position it in the box.



Tools Used:

- (1) Kreg Clamps
- (1) Milwaukee Drill (cordless)
- (1) Estwing Hammer
- (1) Hitachi Jigsaw

- (1) Ridgid Miter Saw
- (1) Bosch Sander
- (1) Stanley Sanding Block
- (1) Starrett Square
- (1) Stanley Tape Measure
- (1) Stanley Utility Knife

Materials Required:

Wood Products:

- (4) 1/2", 36", Square Dowel
- (3) 1/2" x 2" (1 1/2" Actual), 36", Board
- (1) 1/2" x 3" (2 1/2" Actual), 48", Board
- (1) 1/8", Quarter Sheet, Hardboard
- (1) 1/8", 36", Round Dowel
- (1) 1/4" x 2" (1 1/2" Actual), 48", Board

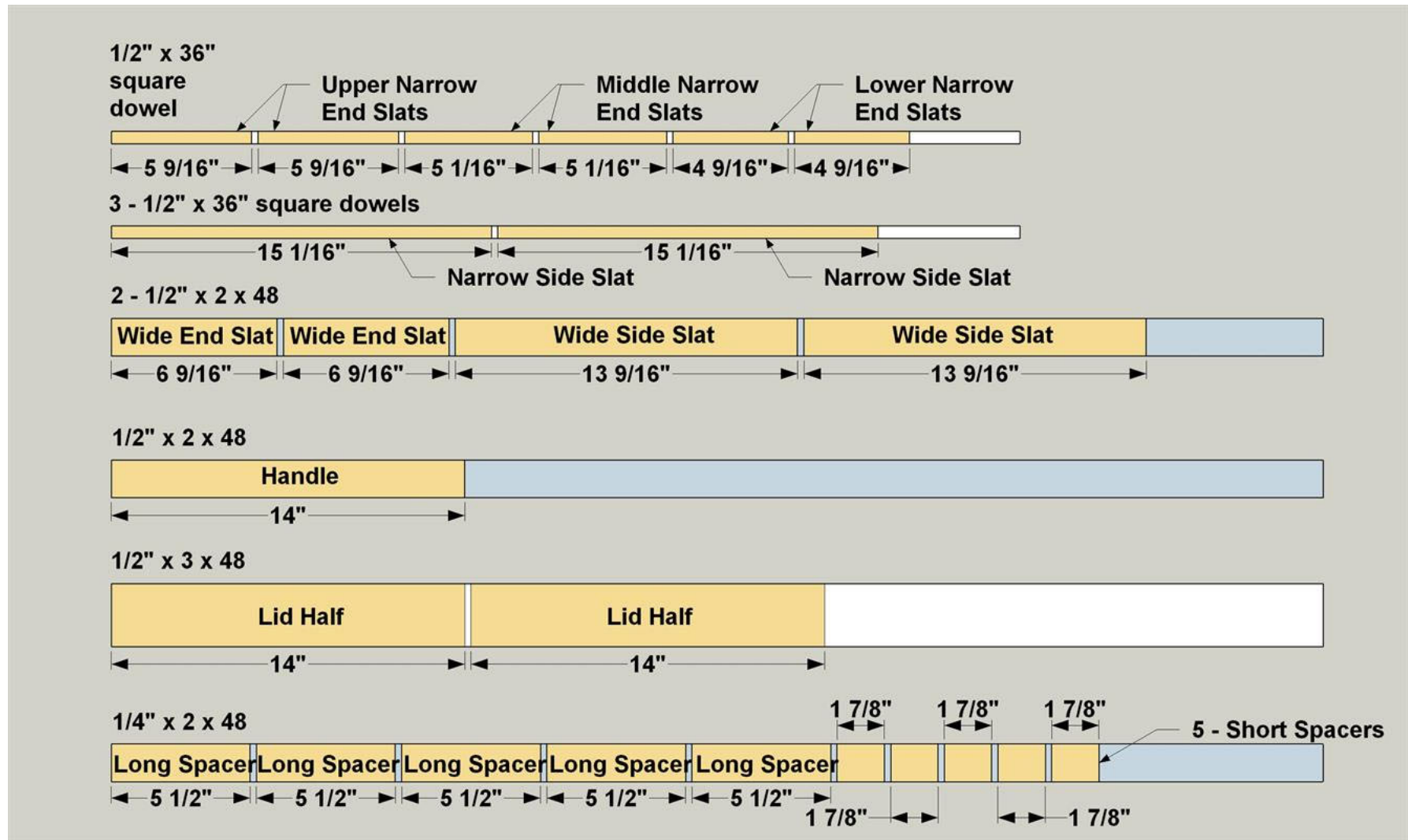
Hardware/Supplies:

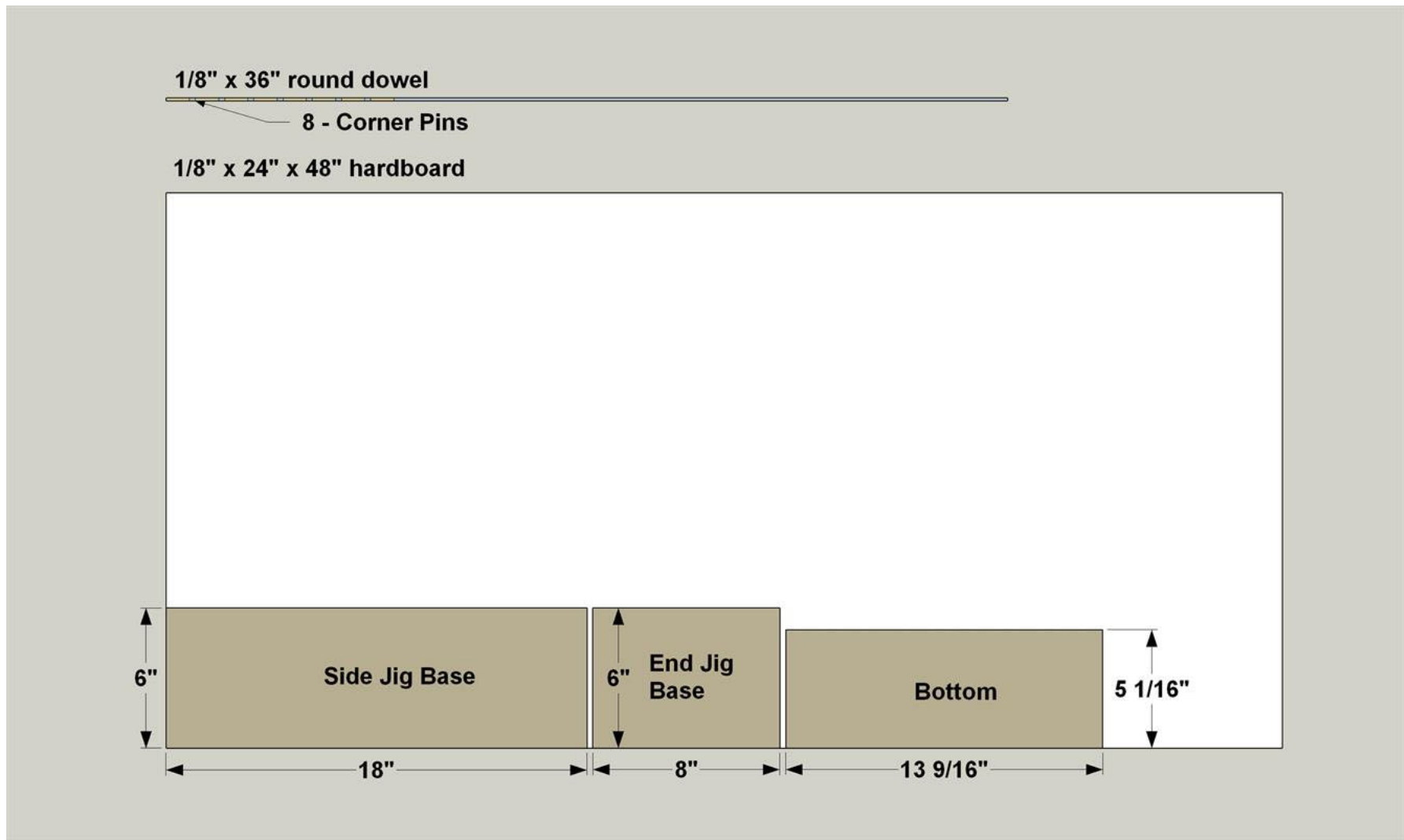
- (1) Double-Faced Tape
- (1) Felt Fabric (1/2-yard)
- (1) Fine-Tip Felt Marker
- (1) Plastic Packaging Tape
- (1) Wood Glue

Parts/Cut List:

- (2) Upper Narrow End Slats, 1/2" x 1/2" x 5 9/16"
- (2) Middle Narrow End Slats, 1/2" x 1/2" x 5 1/16"
- (2) Lower Narrow End Slats, 1/2" x 1/2" x 4 9/16"
- (4) Wide End Slats, 1/2" x 1 1/2" x 6 9/16"
- (6) Narrow Side Slats, 1/2" x 1/2" x 15 1/16"
- (4) Wide Side Slats, 1/2" x 1 1/2" x 13 9/16"
- (1) End Jig Base, 1/8" hardboard x 6" x 8"
- (1) Side Jig Base, 1/8" hardboard x 6" x 18"
- (5) Long Spacers, 1/4" x 1 1/2" x 5 1/2"
- (5) Short Spacers, 1/4" x 1 1/2" x 1 7/8"

- (1) Bottom Panel, 1/8" hardboard x 5 1/16" x 13 9/16"
- (8) Corner Pins, 1/8" dowel x 1"
- (2) Lid Halves, 1/2" x 2 1/2" x 14"
- (1) Handle, 1/2" x 1 1/2" x 14"





Extras:

No extra details have been uploaded.

Attention: Almost any do-it-yourself project involves risk of some sort. Your tools, materials, and skills will vary, as will the conditions at your project site. BuildSomething has made every effort to be complete and accurate in the instructions of the certified plans on this website. However, buildsomething.com has not verified the completeness or accuracy of plans on this site that were created by site users. BuildSomething will not assume any responsibility or liability for damages or losses sustained or incurred in the course of your project or in the use of the item you create. Always follow the manufacturer's

operating instructions in the use of tools, check and follow your local building codes, and observe all commonly accepted safety precautions. We strive to be accurate, but reserve the right to correct any errors.

Copyright © 2019 buildsomething.com. | [Privacy Policy](#) | [Terms of Use](#)

